



EVO Laser

Barcode Scanner

Get high performance and increased reliability for a fraction of the cost with the new POS-X EVO Laser Scanner. The EVO Laser increases accuracy thanks to a wide scan area with a longer depth of field and proves more reliable due to decreased working time for the laser head. In addition, the advanced ergonomic design contributes to the EVO Laser's standing as a highly efficient, cost effective rapid-fire scanner.



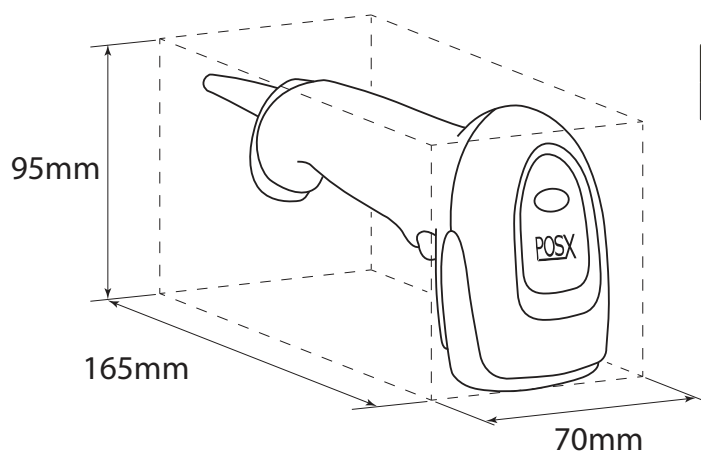
Key Features

- World-leading laser technology
- Pulsing laser increases the life of the laser engine
- Reads all linear barcodes
- Reads barcodes in direct sunlight
- Reading distance: 0.5"-10"
- 5-Year warranty includes 2-Day Advance Exchange service

barcode scanner

EVO Laser Specifications

PART NUMBER	EVO-SG1-ALU
PERFORMANCE	
Light Source	Visible Laser Diode 650nm
Visual Indicators	Green = laser ready to scan; Red = scanning successful
System Interface	USB
Depth of Field	0.5" (12.7mm)–10" (257mm) .01" (.33mm) barcode
Resolution	0.2" (4 mm)
Scanning Angle	46 degrees horizontal
Scan Rate	72 ± 2 scan lines/sec
Print Contrast	Minimum 35% contrast
Ambient Light Rejection	0–4842 LUX
FEATURES	
Supported Symbologies	1D: Code 128, Code 39, Extended Code 39, Code 93, EAN 13, EAN 8, EAN Bookland, Industrial 2 of 5, Interleaved 2 of 5, Logmars, OPC, SCC-14, UCC/EAN Shipping, UPC Shipping Container Code, UPC-A, UPC-E
Programmable Features	Scan mode, prefix code, postfix code, code type, Supplements, Redundant scans, Transmission delay
PHYSICAL	
Weight	0.26 lb (117 g)
Housing	ABS
Dimensions	(LxWxH) 6.5" (165mm)x 2.8" (70mm)x 3.7" (95 mm)
Color	Black/Grey
ELECTRICAL	5V DC ± 0.25 V (input)
CURRENT	125mA
ENVIRONMENTAL	
Temperature	32°–104°F (0°C to 40°C) (operating) -40°–140°F (-40°C to 60°C) (storage)
Humidity	5%–95% relative humidity, non-condensing
Shock Resistance	Withstands multiple drops from 3.3' (1 m)
WARRANTY	5-Year Includes 2-Day Advance Replacement Service
CERTIFICATIONS	SELV, CSA, CDRH



ACCESSORIES	
EVO-SG1-ASTAND	EVO Scanner Stand